

CM Technical Data Sheet

Key Interlocking a Division of Performance Innovations Ltd.



Phone: 604-940-0068

Fax: 604-940-1047

Email: sales@keyinterlocking.com



Type CM Interlocks (Cylinder Mount)

- Solid brass construction
- Standard threaded cylinder interlock
- To be installed with brackets supplied by circuit breaker manufacturer
- Key can be trapped or released depending on cam position mounting

Options

- Specify key Interchange for each cylinder. Example (A1, A2, B1 etc.)
- Available with dust covers
- **Caution: Remove the key from the cylinder before removing the cam for repositioning.**

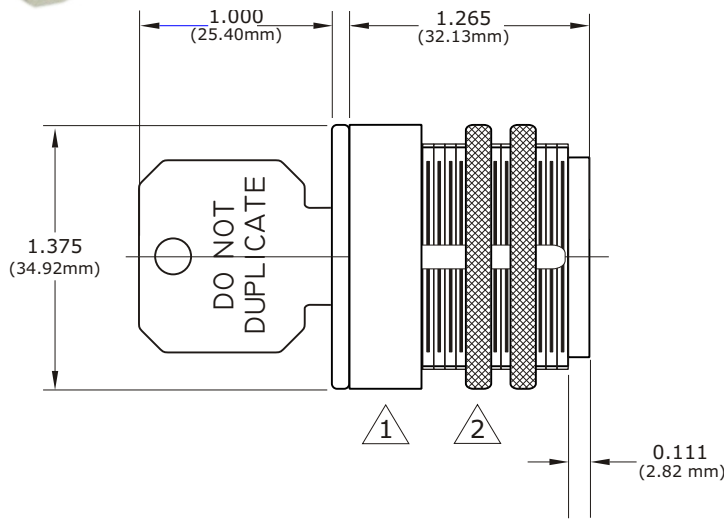
CM Technical Data Sheet

Key Interlocking a Division of Performance Innovations Ltd.

Phone: 604-940-0068

Fax: 604-940-1047

Email: sales@keyinterlocking.com



1 0.375 Spacer (Provided)

2 Locking Nut x 2 (Provided)

