

VD Technical Data Sheet

Key Interlocking a Division of Performance Innovations Ltd.

Phone: 604-940-0068

Fax: 604-940-1047

Email: sales@keyinterlocking.com



VD Interlock (bolt left) with
Oversized Door Catch

Type VD Interlocks (Door Mount)

- 2 part lock consisting of a lock body and a door catch
- Solid brass construction
- 5/8" diameter locking bolt
- 2 mounting holes for 3/8" bolts @ 1 1/8" spacing thru base of lock
- Key removable position (E) extended and only removable when the lock body is seated in the door catch

Options

- Available bolt left (pictured above) or bolt right (bolt on right side of housing)
- VD locks are available with up to 5 cylinders.
Multi cylinder VD locks always have the first cylinder (E) extended (key can be withdrawn only when lock body is seated in door catch). Additional cylinders can be specified as (E) or withdrawn. (W) withdrawn cylinders will have the key removable when the door latch is released.
- Specify Key Interchange. (A1,A2,B1 etc.)
- Available with auxiliary switch
- Available with dust covers

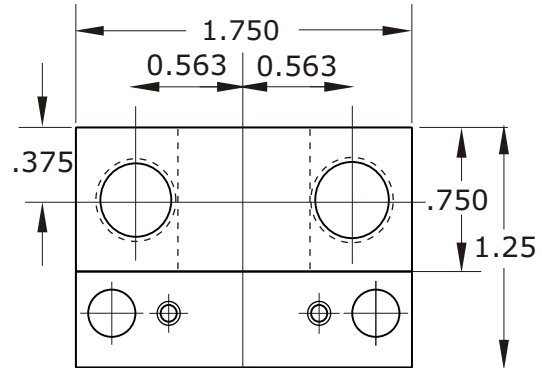
VD Technical Data Sheet

Key Interlocking a Division of Performance Innovations Ltd.

Phone: 604-940-0068

Fax: 604-940-1047

Email: sales@keyinterlocking.com



Door Catch for VD

