

# VF Technical Data Sheet

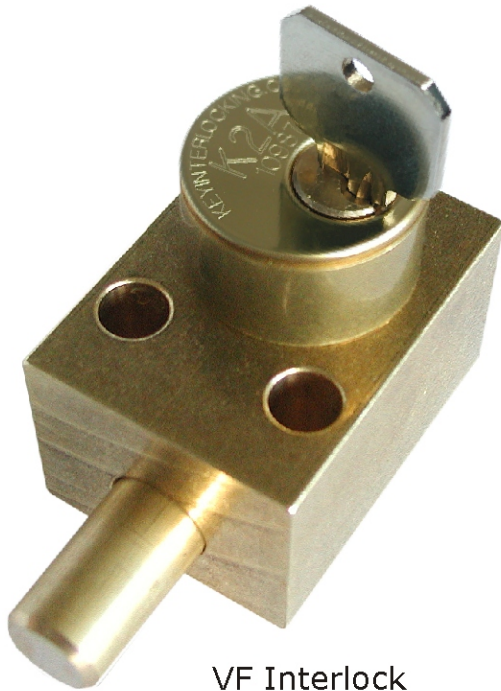
Key Interlocking a Division of Performance Innovations Ltd.



Phone: 604-940-0068

Fax: 604-940-1047

Email: sales@keyinterlocking.com



VF Interlock  
(bolt left)

## Type VF Interlocks (Flat Mount)

- Solid brass construction
- 5/8" diameter locking bolt
- 3/4" bolt travel
- 2 mounting holes for 3/8" bolts @ 1 1/8" spacing thru base of lock

## Options

- Available bolt left (pictured above) or bolt right (bolt on right side of housing)
- Bolt lengths from 0"- 7" available  
Bolt length measured in withdrawn (W) position..  
Example 0" bolt length will be 0" when bolt retracted 3/4" when bolt extended
- Key removable position (E) extended, or (W) withdrawn  
Example a 0" (E) extended lock  
Key will be removable when the bolt is extended 3/4" and be trapped when bolt is retracted to 0"
- VF locks available with up to 5 cylinders
- Specify Key Interchange. (A1,A2,B1 etc.)
- Available with auxiliary switch's
- Available with dust covers

# VF Technical Data Sheet

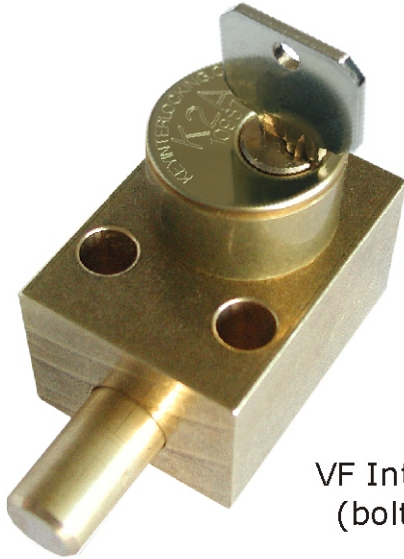
Key Interlocking a Division of Performance Innovations Ltd.



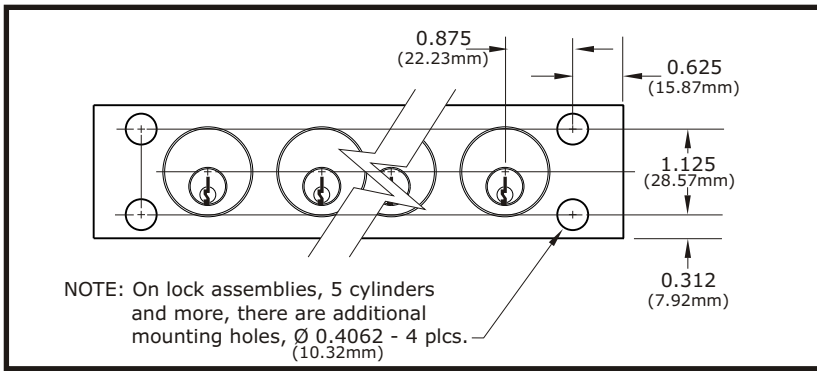
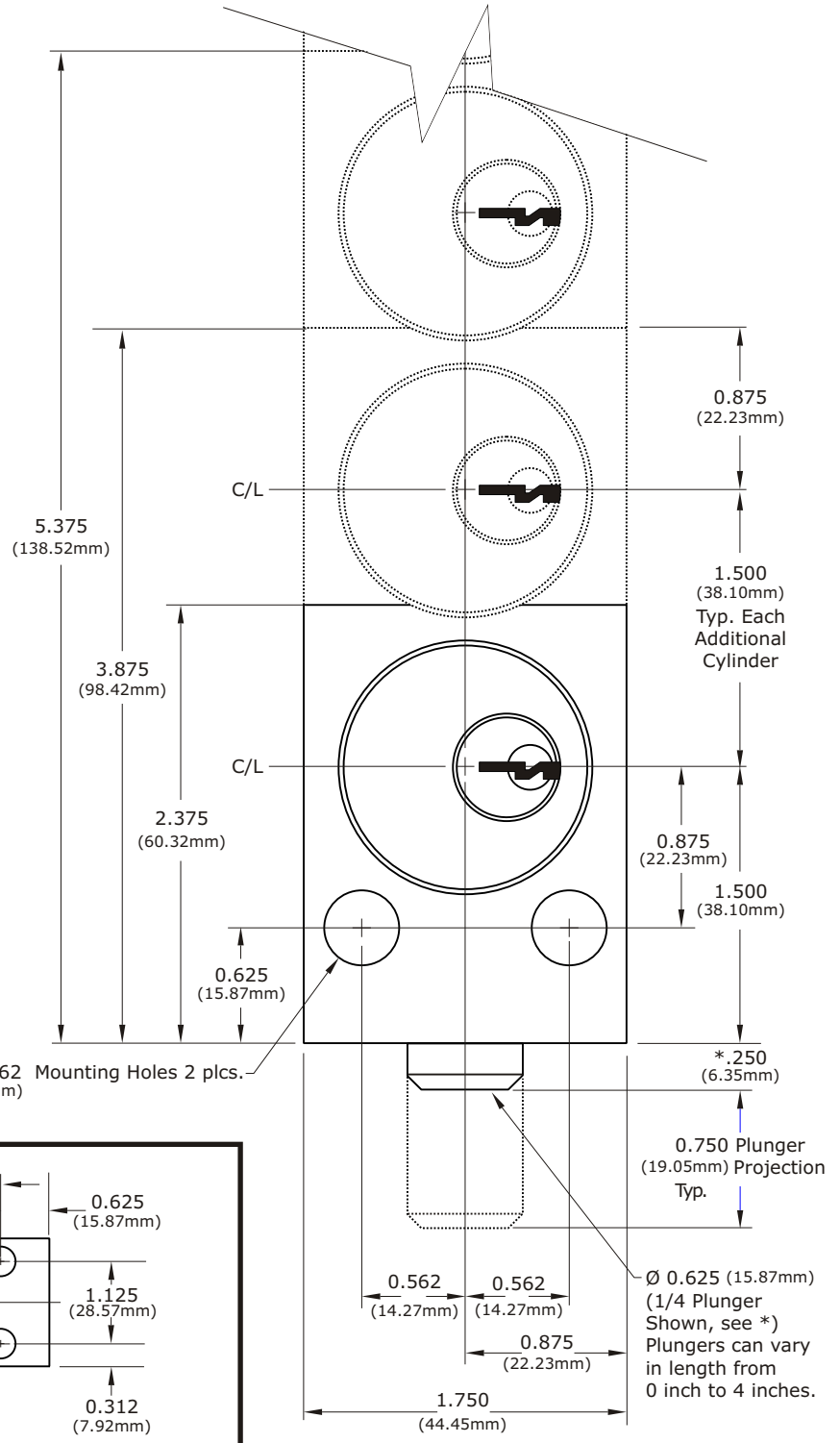
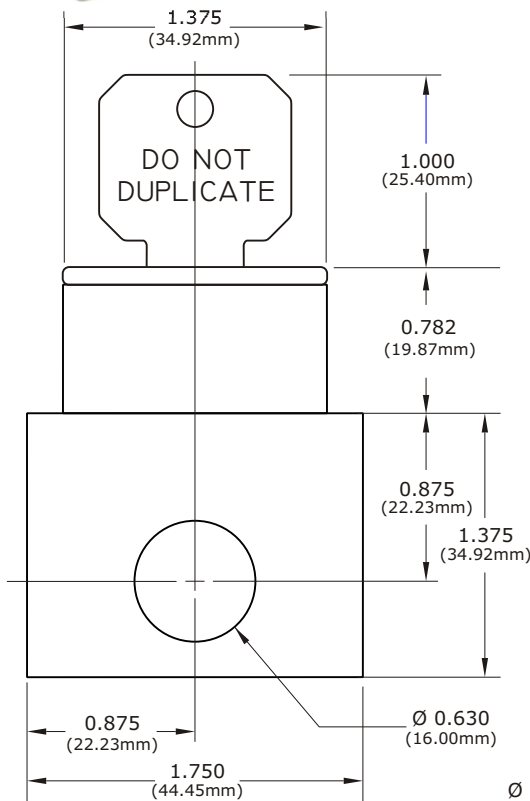
Phone: 604-940-0068

Fax: 604-940-1047

Email: sales@keyinterlocking.com



VF Interlock  
(bolt left)



NOTE: On lock assemblies, 5 cylinders and more, there are additional mounting holes, Ø 0.4062 - 4 plcs. (10.32mm)

Ø 0.4062 Mounting Holes 2 plcs. (10.32mm)

\*.250 (6.35mm)  
0.750 Plunger (19.05mm) Projection Typ.  
Ø 0.625 (15.87mm) (1/4 Plunger Shown, see \*)  
Plungers can vary in length from 0 inch to 4 inches.