

VT Technical Data Sheet

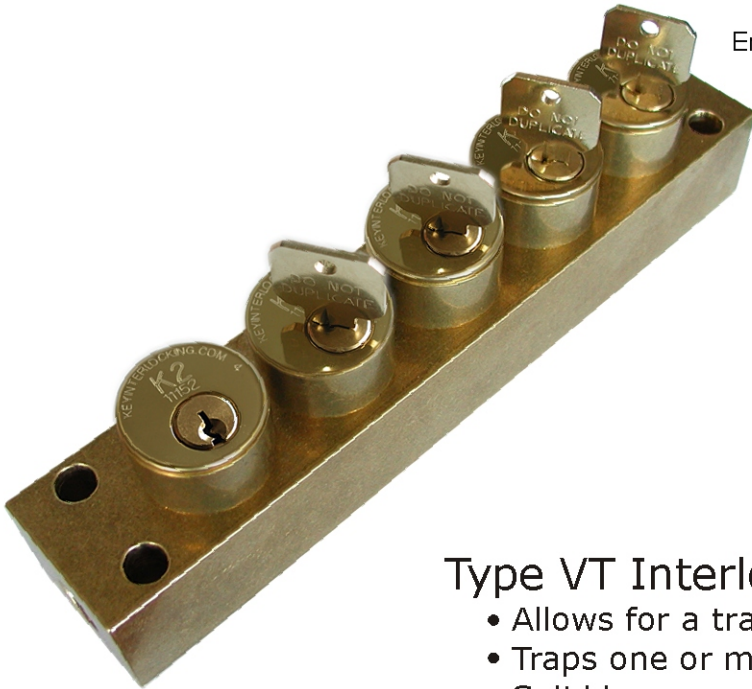
Key Interlocking a Division of Performance Innovations Ltd.



Phone: 604-940-0068

Fax: 604-940-1047

Email: sales@keyinterlocking.com



VT5 Interlock

Type VT Interlocks (Transfer Lock)

- Allows for a transfer of keys
- Traps one or more keys while additional keys are released
- Solid brass construction
- 2 mounting holes for 3/8 bolts @ 1 1/8" spacing thru face of lock
- 2 additional mounting hole on locks with 5 cylinders or more
- No locking bolt. Transfer locks are for the exchange of keys only

Options

- Transfer locks available up to 20 cylinders
- Specify which keys are initiating (E) and which keys are held (W)
- Specify Key Interchange. (A1,A2,B1 etc.)
- Available with dust covers

VT Technical Data Sheet

Key Interlocking a Division of Performance Innovations Ltd.



Phone: 604-940-0068

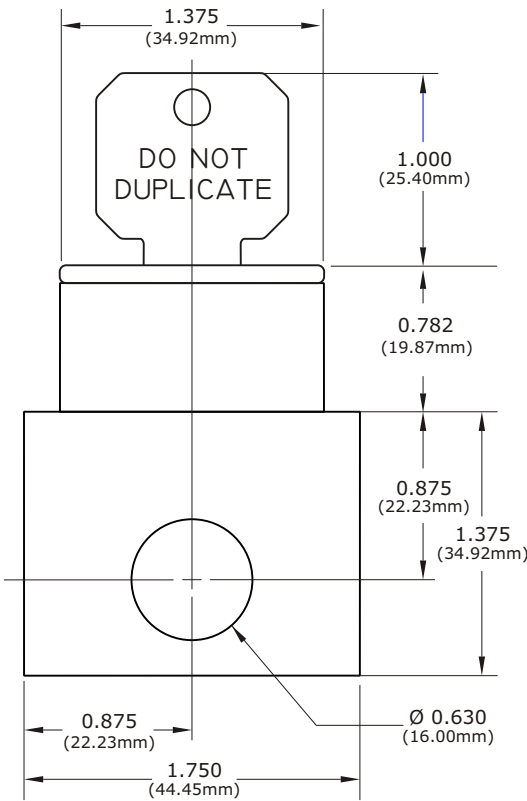
Fax: 604-940-1047

Email: sales@keyinterlocking.com



VT5 Interlock

NOTE: On lock assemblies, 5 cylinders and more, there are 2 additional mounting holes. \varnothing 0.4062 (10.32mm)



NOTE: The drawing shows a VT2, as shown each additional cylinder adds 1.5" in length. The total length of a 5 cylinder (shown in photo) VT type transfer lock is 9.25".

